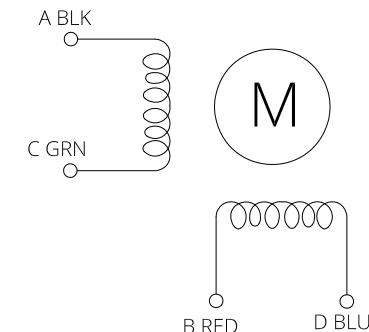


Diagram



**\* For Voron V1&2 Z Motor, 2-4pcs per printer.**

| Item             | Specification            | Item                | Specification   |
|------------------|--------------------------|---------------------|-----------------|
| Phase Number     | 2                        | Step Angle          | 1.8° ± 5%       |
| Rated Voltage    | DC 3.2V / Phase          | Rated Current       | DC 2.0A / Phase |
| Phase Resistance | 1.6x(1±20%) Ω            | Phase Inductance    | 3.0x(1±20%) mH  |
| Holding Torque   | 5.9Kgf-cm (59N-cm)       | Detent Torque       | 20 mN-m REF.    |
| Rotate Direction | A-AB-B CW                | Insulate Resistance | 100Mohm(DC500V) |
| HI-POT           | AC600V/1mA/1S            | Insulation Class    | Class B 130°C   |
| Rotor Inertia    | 85 g-cm <sup>2</sup> REF | Weight              | 0.35 Kg REF     |

| REV. | ECN NO. | DESCRIPTION | MADE BY | APPR. BY | DATE    |
|------|---------|-------------|---------|----------|---------|
| A    | ---     | NEW RELEASE | Xu SD   | J.B.     | 6/25/20 |

|                   |                    |                  |  |              |                  |
|-------------------|--------------------|------------------|--|--------------|------------------|
|                   | VIEW               |                  | <b>LDO Motors Co., Ltd.</b>                                  |              |                  |
|                   | SCALE              |                  | Part NO. <b>NEMA17 Stepper Motor LDO-42STH48-2004AC(VRN)</b> |              |                  |
| DRAWN BY<br>Xu SD | CHECKED BY<br>J.B. | APPR. BY<br>J.B. | DATE<br>6/25/20  | FACTORY CODE | SHEET NO.<br>1/1 |