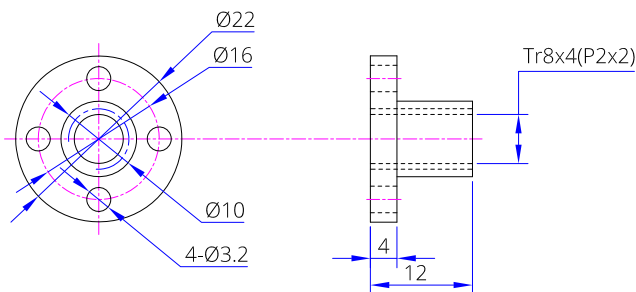
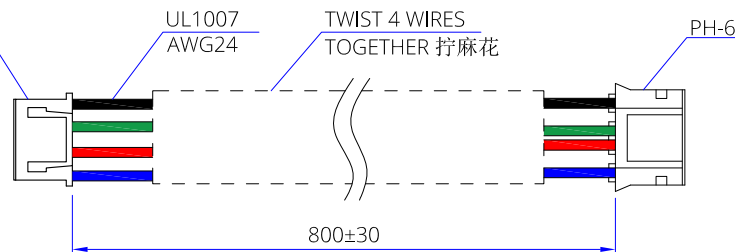


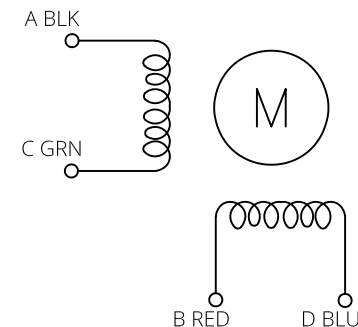
POM NUT (BLACK)
(No burrs, break all sharps)



Connector: JST XHP-4,
or Equivalent.



Diagram



Item	Specification	Item	Specification
Phase Number	2	Step Angle/Length	1.8° ± 0.09° / 0.02mm
Rated Voltage	DC 2.8V / Phase	Rated Current	DC 2.0A / Phase
Phase Resistance	1.65x(1±15%) Ω	Phase Inductance	4.1x(1±20%) mH
Holding Torque	450mN-m MIN	Detent Torque	15 mN-m REF.
Rotate Direction	ACBDA CW	Insulate Resistance	100Mohm(DC500V)
HI-POT	AC600V/1mA/1S	Insulation Class	Class B 130°C
Rotor Inertia	54g-cm ² REF	Weight	0.35 Kg REF

REV.	ECN NO.	DESCRIPTION	MADE BY	APPR. BY	DATE
A	----	NEW RELEASE	Xu SD	J.B.	7/15/22

	VIEW			LDO Motors Co., Ltd.	
	SCALE	NA		Part NO.: NEMA17 Linear Stepper Motor LDO-425TH40-1684CL350ET(VRN)	
DRAWN BY	CHECKED BY	APPR. BY	DATE	FACTORY CODE	SHEET NO.
Xu SD	J.B.	J.B.	2/10/22		1/1